

ASSEMBLY AND MOUNTING INSTRUCTIONS

TIGHT STACK BIKE RACK V2
MOSSY COG DESIGNS, LLC

WARNING



Read all instructions prior to use. Failure to understand and follow instructions may result in serious injury and damage to personal property.

Rack must be properly secured into wall studs. If not properly secured, rack may fall at any time.

Edges of metal rack parts may be sharp. All parts have been deburred, but shipping and use may create sharp edges. Use caution when handling.

Do not overload rack. Rack has been designed to hold a maximum of 75 pounds in each bicycle position, and 300 pounds total for the rack. Overloading the rack could cause a failure of the rack, or cause the rack to pull out of the wall, causing serious injury or damage to property.

Mounting and assembly is simple, but it requires 2 people, a few tools, and the ability to follow instructions.

Tools required:

Drill



15/64" Drill Bit



Level



1/2" Socket



4mm Hex Key

4mm

3mm Hex Key

3mm

10mm socket / wrench



Fasteners Included:

5/16" x 2-1/2" Lag screw



M5 x 8 SHCS



M5 x 10 SHCS



M5 x 12 SHCS



M5 x 10 BHCS



M6 x 110 Hex Head



M6 Nylok Nut



For more information visit us at:

www.mossycog.com

Or email at:

info@mossycog.com

U.S. PATENT 11,091,213

TS4 V2 Instructions Version 1.1 2023-12-14

RACK MUST BE MOUNTED INTO STUDS

STEP 1:



Install Upper Mount Strips to the wall.

1a. Determine the height of the rack. Recommended height of the upper mount holes is 66"

1b. Drill a pilot hole for the top screw using the 15/64" drill bit. Drill at least 2 inches into the stud.
MAKE SURE THE HOLE IS DRILLED INTO A STUD

1c. Place the first mount strip against the wall and fasten the top screw through the mount strip into the wall using the 1/2" socket. Use a level to get the mount strip vertical.

1d. Using the mount strip as a template mark the other mounting holes. Drill the remaining pilot holes using the 15/64" drill bit. Fasten the remaining mount screws through the back plate into the wall using the 1/2" socket.
MAKE SURE ALL HOLES ARE DRILLED INTO A STUD

1e. Use a level to place the second mount strip at the same height as the first. Repeat 1b-1d for the second mount strip.

Note: For studs on 16" centers, the 2 mounts should be 32" apart, as shown. For studs on 24" Centers, the mounts will be 24" apart.

STEP 2:



Install Upper Assembly to Upper Mount Strips.

2a. Lift Upper Assembly into place, and line up mounting holes.

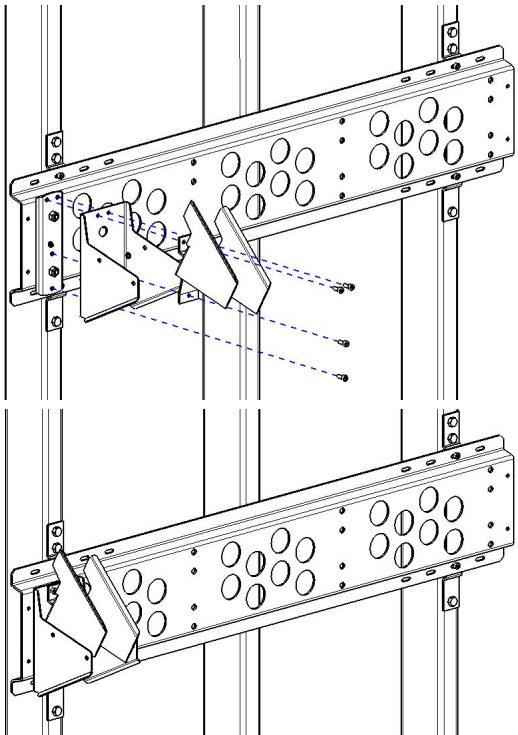
Note: Picture shown at left shows a rack mounted to studs on 16" centers. The rack may be shifted left or right to fit the space, and may not use the slots shown.

2b. Install 4x M5x10 SHCS through Upper Assembly into Upper Mount Strips using 4mm Hex Key.

2c. Use a level along the top of the assembly to set level to gravity. Do not assume measuring from the floor or ceiling will get the rack level.

2d. Tighten all mount screws.

TIGHT STACK BIKE RACK VER2
MOSSY COG DESIGNS, LLC
MADE IN THE USA



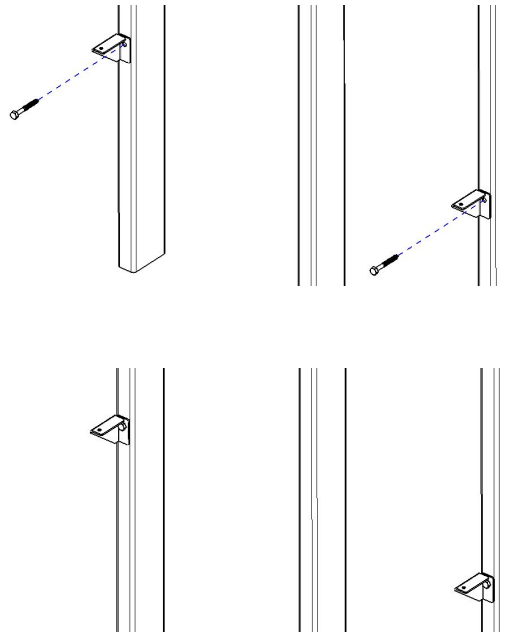
STEP 3:



Install Arm Supports.

3a. Install Arm Bracket and Rotation Support with 4x M5x12 SHCS using the 4mm Hex Key. It is easiest to install the bottom screw first, since it only holds the Arm Bracket. In order to access the top screws, rotate the Rotation Support.

3b. Repeat 3a for the other positions.



STEP 4:



Install Lower Mounts to the Wall.

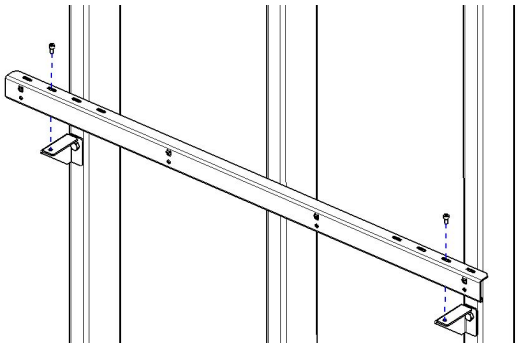
4a. Determine the height of the rack. Recommended height of the lower mount holes is 20"

4b. Drill a pilot hole for the top screw using the 15/64" drill bit. Drill at least 2 inches into the stud. *****MAKE SURE THE HOLE IS DRILLED INTO A STUD*****

4c. Place the first lower mount against the wall and fasten the screw through the mount strip into the wall using the 1/2" socket.

4e. Use a level to place the second lower mount at the same height as the first. Repeat 1b-1d for the second mount strip.

Note: For studs on 16" centers, the 2 mounts should be 32" apart, as shown. For studs on 24" Centers, the mounts will be 24" apart.

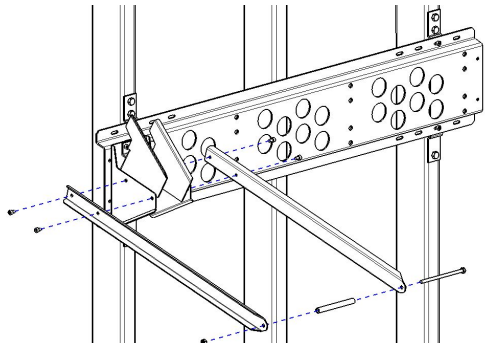


STEP 5:



Install Lower Mount Bar.

5a Mount the Lower Mount Bar to the Lower Mounts with 2x M5x10 SHCS using the 4mm Hex Key. Use the same slots as the upper mount to align the upper and lower mounts.



STEP 7:

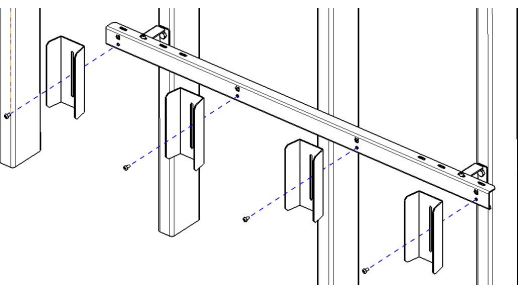


Install Arms.

7a. Install a Support Arm on each side of the Arm Bracket with 2x M5x8 SHCS using the 4mm Hex Key on each side.

7b. Install roller with 1x M6x110 Hex Head Bolt through both arms and the roller, and install an M6 nut on the other side, using the 5mm Hex Key and the 10mm socket or wrench.

7c. Repeat 7a-7b for other positions.



STEP 6:



Install Rear Wheel Rests.

6a. Install the Rear Wheel Rest to the Lower Mount Bar with 1x M5x10 BHCS using the 3mm Hex Key, lining up the slot using the screw and the tab.

6b. Repeat 6a for the other positions.

6c. Adjust the height of the Rear Wheel Rest for each bike depending on where the rear wheel wants to fall.

